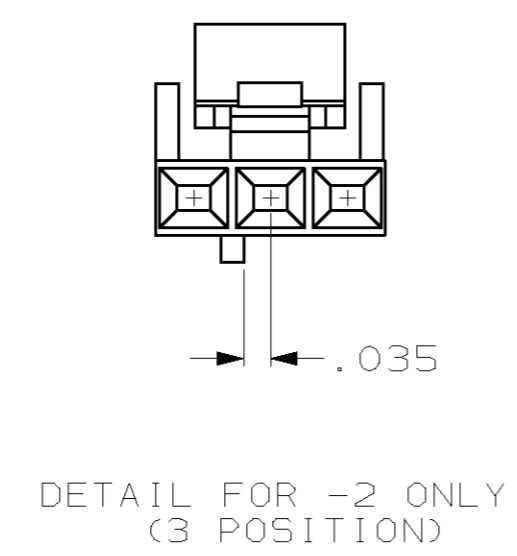
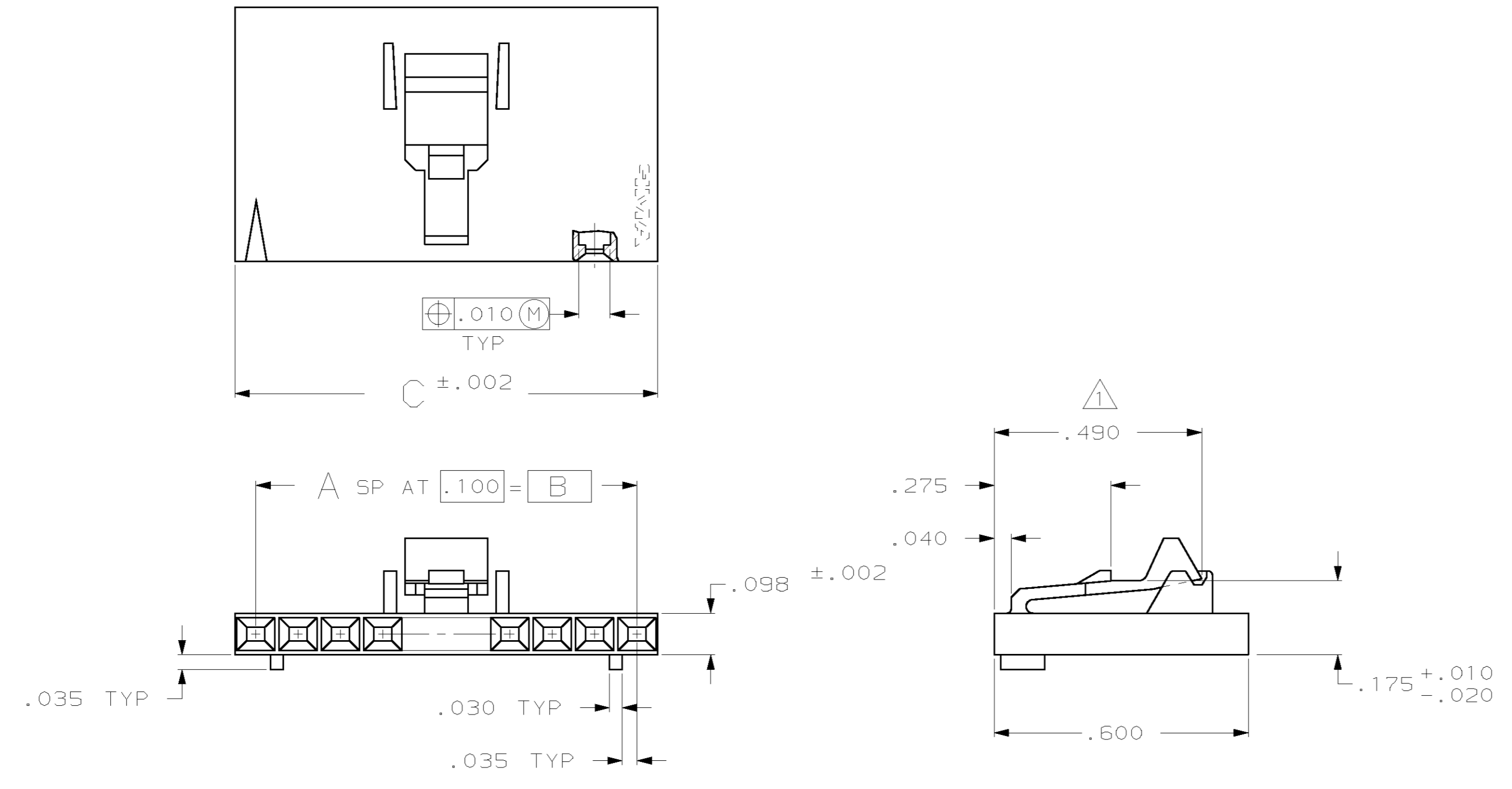


THIS DRAWING IS UNPUBLISHED. RELEASED FOR PUBLICATION
 BY AMP INCORPORATED, ALL RIGHTS RESERVED.

LOC	DIST	REVISIONS			
P	LTR	DESCRIPTION	DATE	DWN	APVD
AD	39	B	REV PER 063C-0367-04	16AUG04	RB JG

△1 THIS DIMENSION .480 FOR 2 POSN ONLY
 △2 PRELIMINARY PART - NOT RELEASED FOR PRODUCTION.



△2	.998	.900	9	10	104920-9
△2	.898	.800	8	9	104920-8
	.498	.400	4	5	104920-4
	.398	.300	3	4	104920-3
	.298	.200	2	3	104920-2
	C	B	A	NO OF POSN	PART NUMBER

DIMENSIONS:		TOLERANCES UNLESS OTHERWISE SPECIFIED:		DWN		AMP	
in		0 PLC ±	1 PLC ±	J.HERRINGTON	2-8-95	AMP Incorporated	
		2 PLC ±	3 PLC ±.005	J.GESFORD	2-8-95	Harrisburg, PA 17105-3608	
MATERIAL		4 PLC ±	ANGLES ±	APVD	2-8-95	NAME	
FLAME RETARDANT POLYCARBONATE		FINISH -		D. DUPLER		RECEPTACLE HOUSING, AMPMODU MTE, SINGLE ROW, .100 CL, POLARIZED WITH LATCH	
				PRODUCT SPEC		SIZE	CAGE CODE
				108-25034		A2	00779
				APPLICATION SPEC		DRAWING NO	
				114-25026		C-104920	
				WEIGHT		SCALE	SHEET
				-		4:1	1 OF 1
				CUSTOMER DRAWING		REV	B